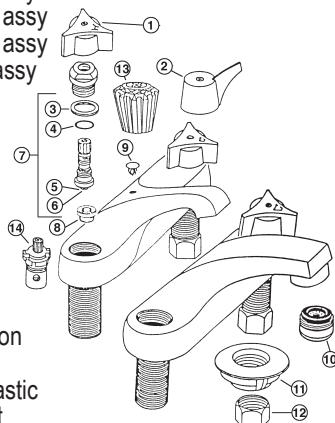


# FAUCET REPAIR

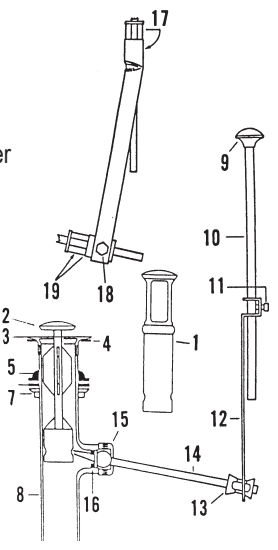
## UNION BRASS LAVATORY FAUCET

ITEM	PART #	DESCRIPTION
1	19930340	Hot handle assy
	19930330	Cold handle assy
2	19930270	Cold handle assy
	19930280	Hot handle assy
3	19937430	Washer
4	40950022	Stem o-ring
5	40110119	Washer
6	50100009	Screw
7	43731002	Hot stem assembly
	43731001	Cold stem assembly
8	42000780	Seat
9	19937088	Snap-in button
10	40110130	Aerator
11	21940315	Locknut - plastic
12	40800454	Coupling nut
13	19930610	Hot handle assembly
	19930600	Cold handle assembly
14	43731005	Stem & bonnet (washerless) H&C
	43731003	Stem & bonnet - cold - use w/19930270



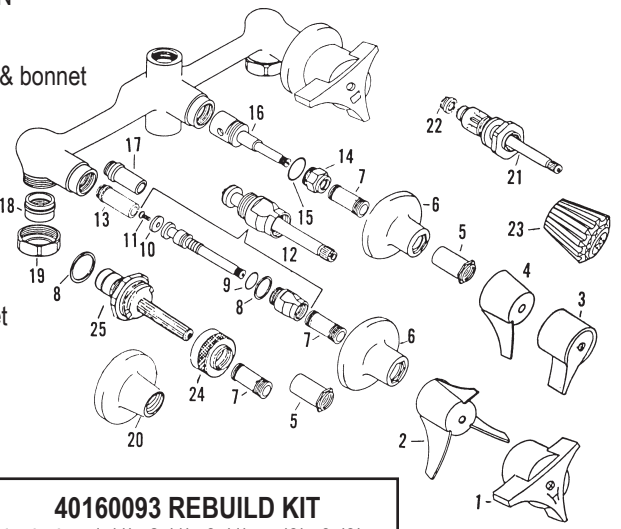
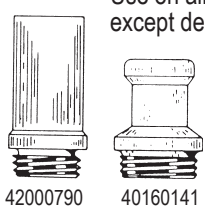
## UNION BRASS POP-UP WASTE

ITEM	PART #	DESCRIPTION
1	19930510	Stopper
2	19930520	Stopper
3	19930140	Flange
4	19937446	Rubber washer
5	44735020	Mack basin washer
6		Fibre washer
7		Locknut
8		Body
9	19937176	Lift rod
10	19937314	Lift rod
11	19937326	Set screw
12	19937186	Lift link
13	19937080	Speed clip
14	19930480	Ball rod
15	19937260	Packing nut
16	19937298	Pack ring
17	19937190	Lift rod link w/ set screw
18		Shoulder screw
19	19937188	Ball rod link w/ set screw



## UNION BRASS TUB & SHOWER VALVE

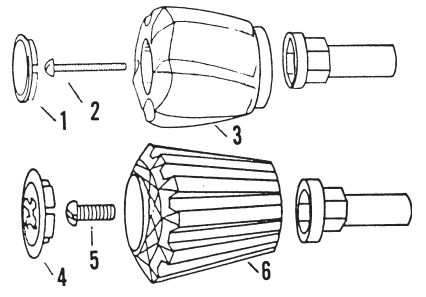
ITEM	PART #	DESCRIPTION	ITEM	PART #	DESCRIPTION
1	40520042	Hot handle assembly	19	19930440	Coupling nut
	40520041	Cold handle assembly	20	40520064	Escutcheon
2	19930220	Cold handle assembly	21	43731036	Diverter stem & bonnet
	19930230	Hot handle assembly			Used 6/84 to present
3	19930390	Diverter handle	22	42000780	Seat
4	NLA	Diverter handle	23	19930630	Acrylic handle - hot
5	40520066	Sleeve		19930620	Acrylic handle - cold
6	40520065	Escutcheon	24	19937272	Bonnet nut
7	40520054	Nipple	25	43731014	Stem & bonnet (washerless)
8	19937430	Bonnet washer			Use on all handles except decorative
9	40950022	O-Ring			
10	40110119	Washer			
11	50100009	Screw			
12	40160157	Stem & bonnet LH			
	40170010	Stem & bonnet RH			
13	42000790	Seat			
14	19930460	Bonnet			
15	40950028	O-Ring			
16	43731025	Diverter stem			
17	40160141	Seat			
18	19937406	Union			



**40160093 REBUILD KIT**  
includes 1 (1), 2 (1), 3 (1), 5 (3), 6 (3), 7 (3), 12 (2), 14 (1), 16 (1), 17 (1)

## UNION BRASS ACRYLIC HANDLES

ITEM	PART #	DESCRIPTION	ITEM	PART #	DESCRIPTION
1	19937074	Cold index	4	19937702	Hot index
	19937076	Hot index		19937704	Cold index
	19937078	Arrow index		19937706	Arrow index
2	19937344	Handle screw	5	19937342	Handle screw
1-3	NLA	Small acrylic handle	4-6	19930610	Small acrylic handle kit - hot
	NLA	Large acrylic handle kit - hot		19930600	Small acrylic handle kit - cold
	NLA	Large acrylic handle kit - hot		19930630	Large acrylic handle kit - hot
	NLA	Large acrylic handle kit - cold		19930620	Large acrylic handle kit - cold
	NLA	Large acrylic handle kit - arrow		19930628	Large acrylic handle kit - arrow



**TOTAL MAINTENANCE SOLUTIONS**

**HOUSTON**  
800/392-5066

**ORLANDO**  
800/327-3022

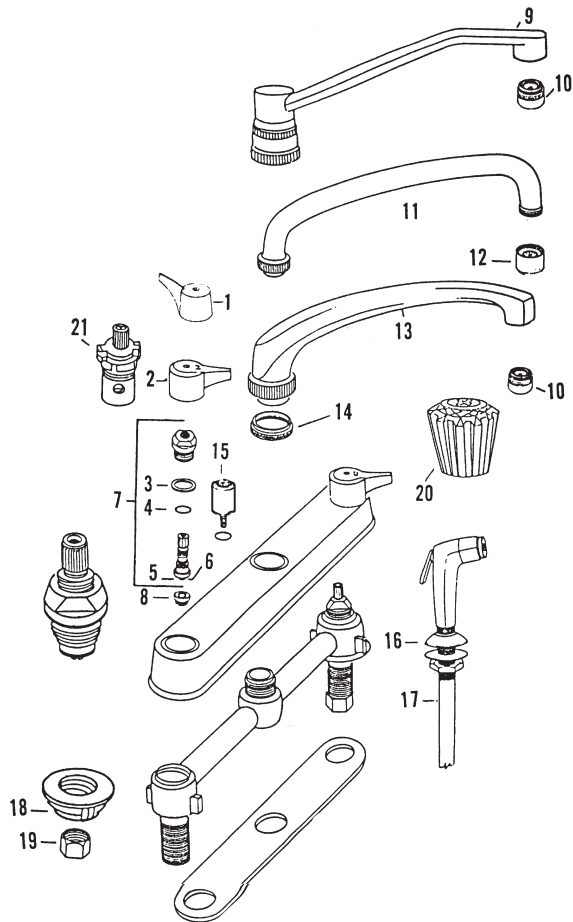
**GREENVILLE**  
800/476-2212

LOOK FOR US ON THE WEB AT: [www.TMSSouth.com](http://www.TMSSouth.com)

# FAUCET REPAIR

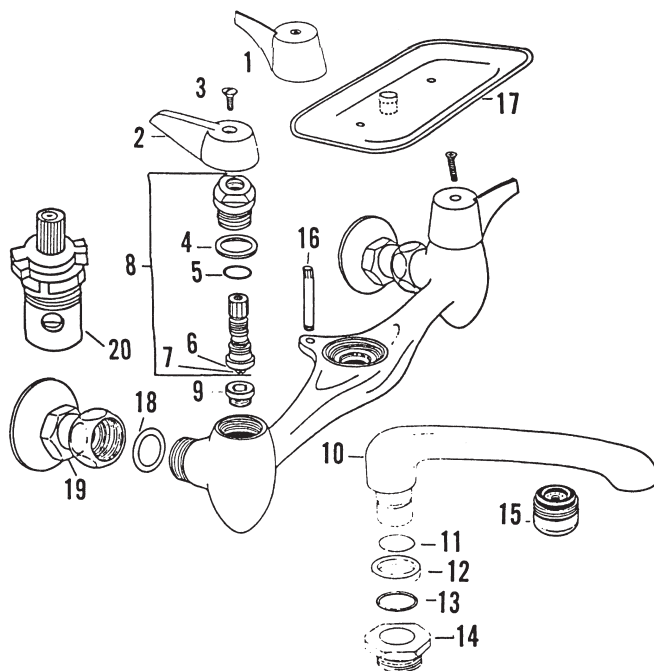
## UNION BRASS KITCHEN FAUCET

ITEM	PART #	DESCRIPTION
1	19930250	Cold handle assembly
	19930260	Hot handle assembly
2	19930350	Cold handle assembly
	19930360	Hot handle assembly
3	19937430	Washer
4	40950022	Stem o-ring
5	40110119	Washer
6	50100009	Screw
7	43731001	Cold stem assembly
	43731002	Hot stem assembly
8	42000780	Seat
9	19937818	Spout assembly
10	40110130	Aerator
11	19930540	Spout assembly
12	40110144	Aerator
13	19937482	Spout assembly
14	19937276	Locknut
15	40140255	Diverter
16	45731002	Hose guide assy.
17	40110165	Hose & spray assembly
18	21940315	Plastic locknut
19	40800454	Coupling nut
20	19930610	Hot acrylic handle
	19930600	Cold acrylic handle
21	43731004	Hot stem assembly (washerless)
	43731003	Cold stem assembly (washerless)



## UNION BRASS WALL TYPE SINK FAUCET

ITEM	PART #	DESCRIPTION
1	19930280	Hot handle
	19930270	Cold handle
2	19937122	Hot handle
	19937120	Cold handle
3	19930490	Handle screw
4	19937430	Washer
5	40950022	Stem o-ring
6	40110119	Washer
7	50100009	Screw
8	43731001	Cold stem assembly L.H.
	43731002	Hot stem assembly R.H.
9	42000780	Seat
10	19930500	Spout assembly
11	19937286	Snap ring
12	19937290	Bushing
13	40950028	O-Ring
14	19930438	Spout nut
15	40110130	Aerator
16	19937312	Soap dish post
17	19937082	Soap dish
18	19937418	Flange washer
19	19937024	Female flange assembly
	19937006	Male flange assembly
20	43731004	Hot stem & bonnet (washerless)
	43731003	Cold stem & bonnet (washerless)



**TOTAL  
MAINTENANCE  
SOLUTIONS**

**HOUSTON**  
800/392-5066

**ORLANDO**  
800/327-3022

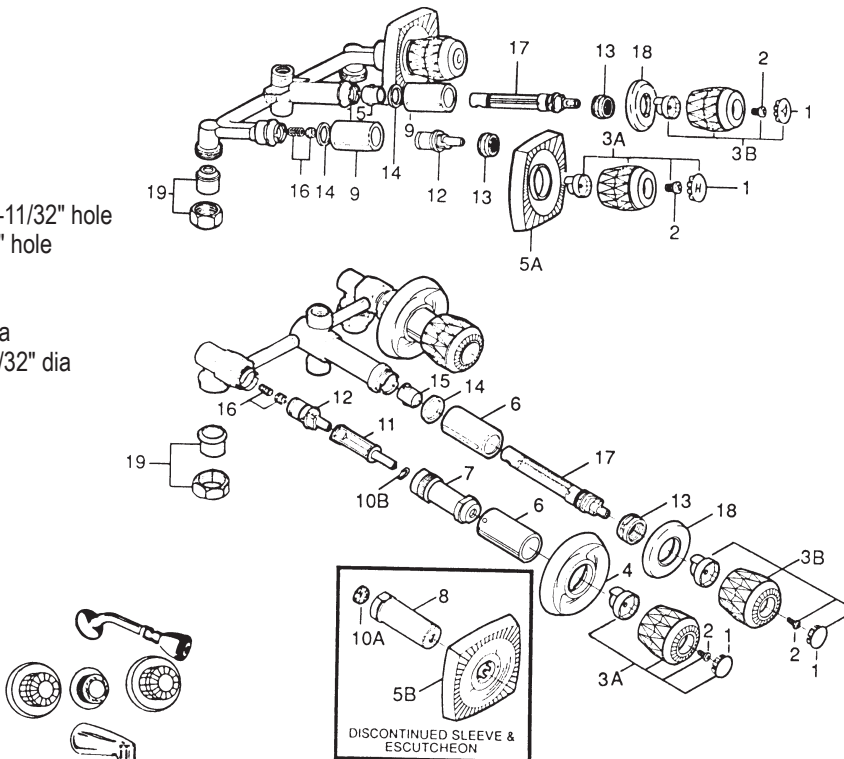
**GREENVILLE**  
800/476-2212

LOOK FOR US ON THE WEB AT: [www.TMSSouth.com](http://www.TMSSouth.com)

# FAUCET REPAIR

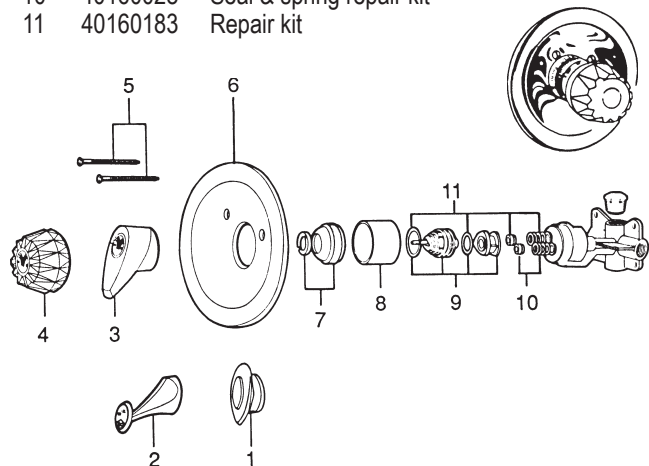
## VALLEY TWO & THREE HANDLE BATH FAUCET

ITEM	PART #	DESCRIPTION
1	21942158	Cold index
	21942160	Hot index
	21942214	Arrow index
2	21942514	Handle screw
3	40160151	Acrylic handle w/insert
4	21941976	Round escutcheon
5	21941750	Square escutcheon - 1-11/32" hole
	21941950	Square escutcheon - 1" hole
6	21941710	Sleeve cover - chrome
7	21941704	Sleeve cover - chrome
8	21941932	Sleeve - chrome - 1" dia
9	21941756	Sleeve - chrome - 1-11/32" dia
10	21941026	Wave washer
11	21940205	Stem extension
12	21940280	Control assembly
13	21940380	Bonnet
14	21941762	Gasket
15	21941782	Diverter seal
16	40160028	Seal & spring repair kit
17	21940410	Diverter assembly
18	21941766	Diverter escutcheon
19		IPS fittings



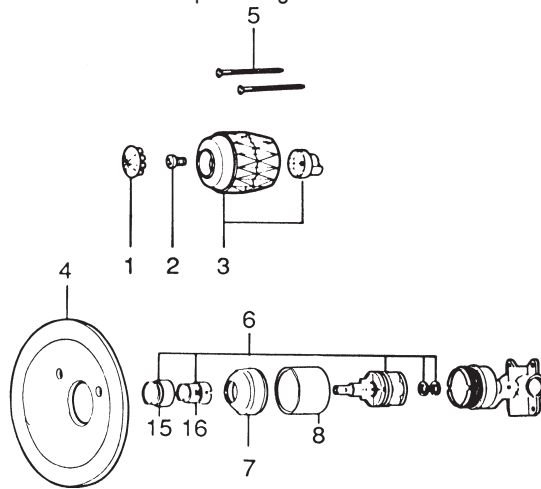
## VALLEY SINGLE CONTROL BATH & SHOWER FAUCET

ITEM	PART #	DESCRIPTION
1	21940400	Acrylic handle
2	40160150	Lever handle
3	21941800	Acrylic Teardrop handle - chrome
4	21941806	Acrylic Round handle - chrome
5	21940240	Escutcheon screws
6	40160125	Escutcheon
7	40160097	Bonnet assembly
8	21941352	Sleeve
9	40160098	Control assembly
10	40160028	Seal & spring repair kit
11	40160183	Repair kit



## VALLEY BACK TO BACK BATH & SHOWER VALVE

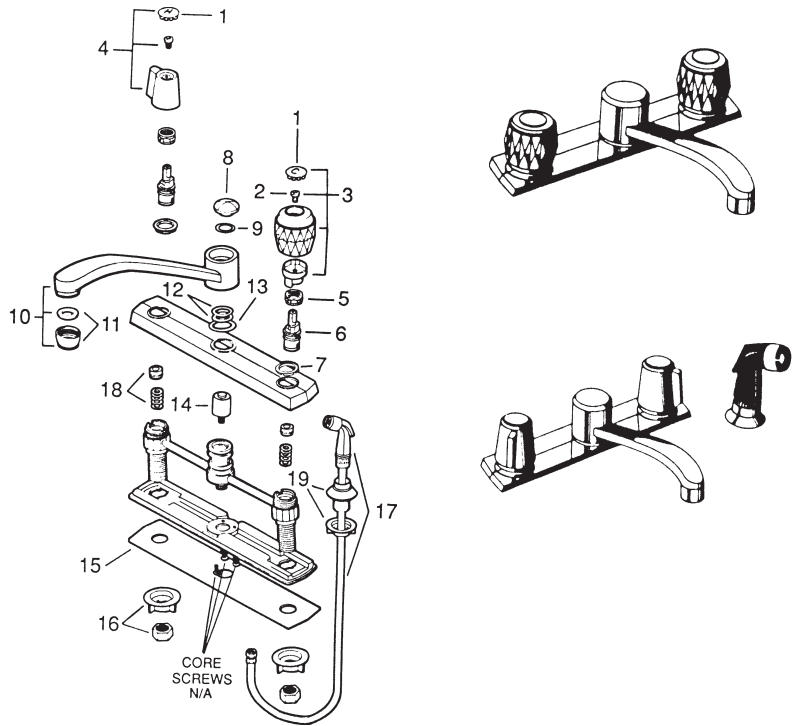
ITEM	PART #	DESCRIPTION
1	21941360	Plug button - chrome
2	21942514	Handle screw
3	40160151	Acrylic handle - clear
4	40160125	Escutcheon
5	21940240	Escutcheon screws
6	40160108	Cartridge assembly
7	21942372	Bonnet
15	21941356	Maximum temperature stop
16	21941354	Stop bushing



# FAUCET REPAIR

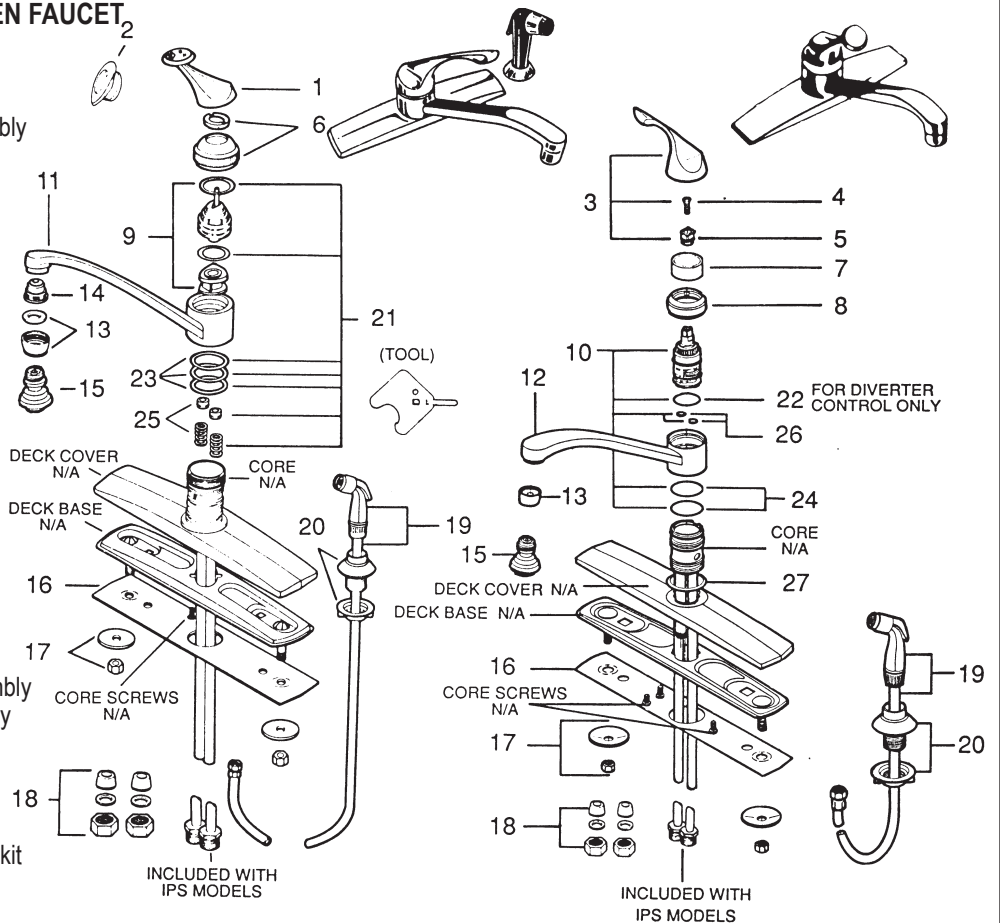
## VALLEY TWO HANDLE KITCHEN FAUCET

ITEM	PART #	DESCRIPTION
1	21942158	Cold index
	21942160	Hot index
2	21942514	Handle screw
3	40160151	Acrylic handle w/insert
4	21940420	Blade handle kit
5	21940380	Bonnet nut
6	21940280	Control assembly
7	21942516	Spacer
8	21940702	Cap
9	21940722	Cap o-ring
10	21942134	Spout assembly w/aerator
11	40110130	Aerator
12	21941816	O-Ring
13		Hub spacer
14	40140255	Diverter
15		Gasket
16	21940315	Locknut
	40800454	Coupling nut
17	40110165	Hose & spray assy.
18	40160028	Seal & spring repair kit
19	45731002	Hose guide assembly



## VALLEY SINGLE CONTROL KITCHEN FAUCET

ITEM	PART #	DESCRIPTION
1	40160150	Lever handle
2	21940400	Acrylic handle
3	21940584	Lever handle assembly
4	21940526	Handle screw
5	21940578	Handle adapter
6	40160097	Bonnet assembly
7	21940524	Bonnet lock ring
8	21940508	Bonnet nut
9	40160098	Control assembly
10	40160107	Control assembly - non diverter
	40160124	Control assembly - diverter
11	21940260	Spout assembly w/ diverter - 8"
12	21940602	Spout assembly - 8"
13	40110130	Aerator
14	21942380	Diverter
15		Swivel spray
16		Gasket
17	21940250	Mounting hardware
18		IPS fittings
19	40110165	Spray & hose assembly
20	45731002	Hose guide assembly
21	40160183	Repair kit
22	21940576	O-Ring - diverter
23	21940370	O-Ring repair kit
24	21940582	Spout o-ring
25	40160028	Seal & spring repair kit
26	21940426	Port seal ring
27	21940550	Bearing hub



**HOUSTON**  
800/392-5066

**ORLANDO**  
800/327-3022

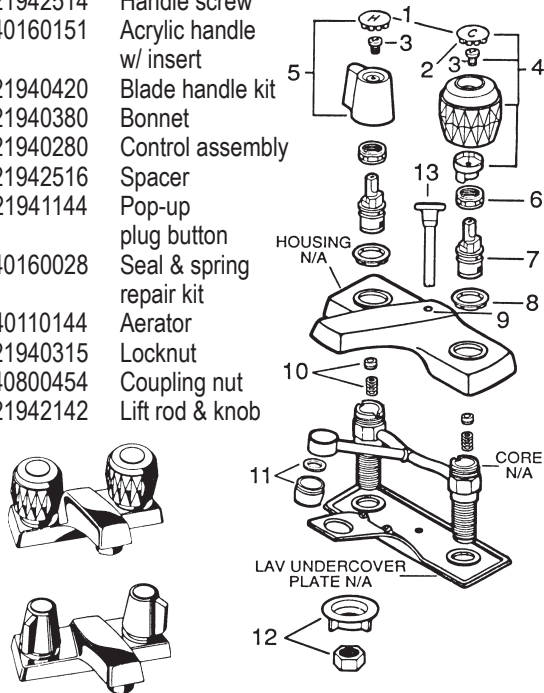
**GREENVILLE**  
800/476-2212

LOOK FOR US ON THE WEB AT: [www.TMSSouth.com](http://www.TMSSouth.com)

# FAUCET REPAIR

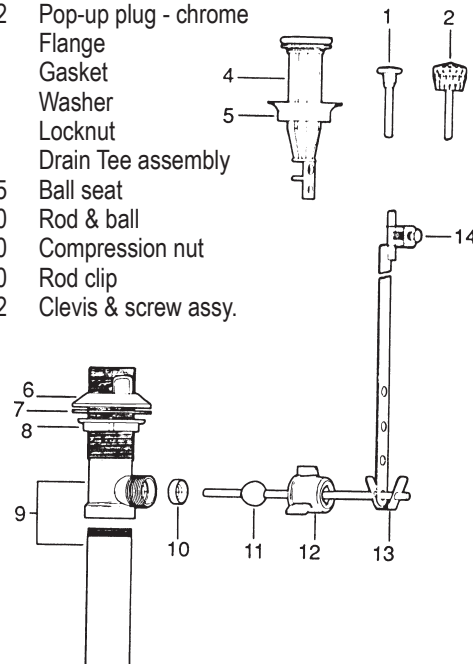
## VALLEY TWO HANDLE LAVATORY FAUCET

ITEM	PART #	DESCRIPTION
1	21942158	Cold index
2	21942160	Hot index
3	21942514	Handle screw
4	40160151	Acrylic handle w/ insert
5	21940420	Blade handle kit
6	21940380	Bonnet
7	21940280	Control assembly
8	21942516	Spacer
9	21941144	Pop-up plug button
10	40160028	Seal & spring repair kit
11	40110144	Aerator
12	21940315	Locknut
	40800454	Coupling nut
13	21942142	Lift rod & knob



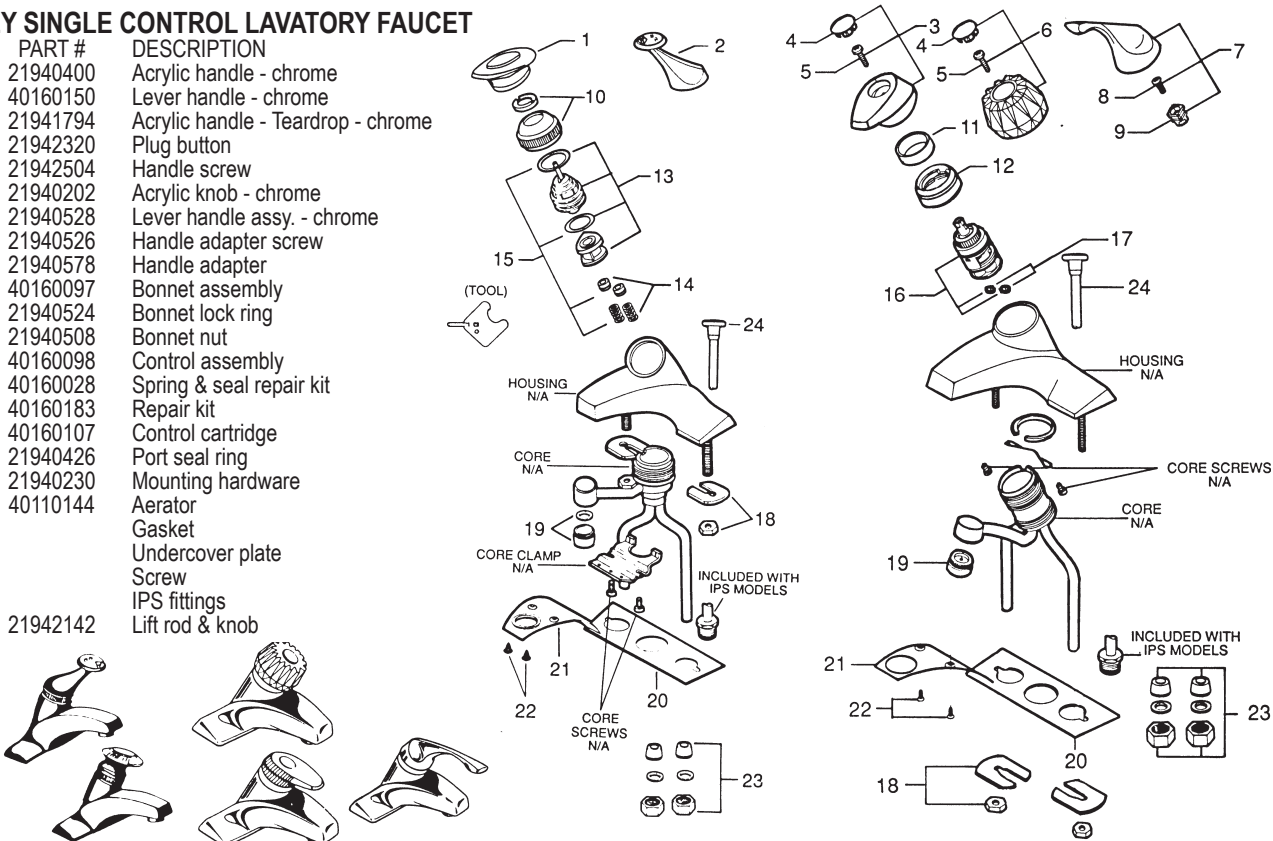
## VALLEY POP-UP WASTE

ITEM	PART #	DESCRIPTION
1	21942142	Lift rod & knob - chrome
2	21942196	Lift rod & knob - acrylic
4	40160152	Pop-up plug - chrome
5		Flange
6		Gasket
7		Washer
8		Locknut
9		Drain Tee assembly
10	40160145	Ball seat
11	21940190	Rod & ball
12	21940170	Compression nut
13	40130240	Rod clip
14	21940952	Clevis & screw assy.



## VALLEY SINGLE CONTROL LAVATORY FAUCET

ITEM	PART #	DESCRIPTION
1	21940400	Acrylic handle - chrome
2	40160150	Lever handle - chrome
3	21941794	Acrylic handle - Teardrop - chrome
4	21942320	Plug button
5	21942504	Handle screw
6	21940202	Acrylic knob - chrome
7	21940528	Lever handle assy. - chrome
8	21940526	Handle adapter screw
9	21940578	Handle adapter
10	40160097	Bonnet assembly
11	21940524	Bonnet lock ring
12	21940508	Bonnet nut
13	40160098	Control assembly
14	40160028	Spring & seal repair kit
15	40160183	Repair kit
16	40160107	Control cartridge
17	21940426	Port seal ring
18	21940230	Mounting hardware
19	40110144	Aerator
20		Gasket
21		Undercover plate
22		Screw
23		IPS fittings
24	21942142	Lift rod & knob



**TOTAL  
MAINTENANCE  
SOLUTIONS**

**HOUSTON**  
800/392-5066

**ORLANDO**  
800/327-3022

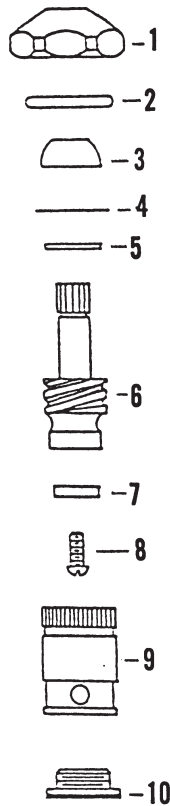
**GREENVILLE**  
800/476-2212

LOOK FOR US ON THE WEB AT: [www.TMSSouth.com](http://www.TMSSouth.com)

# FAUCET REPAIR

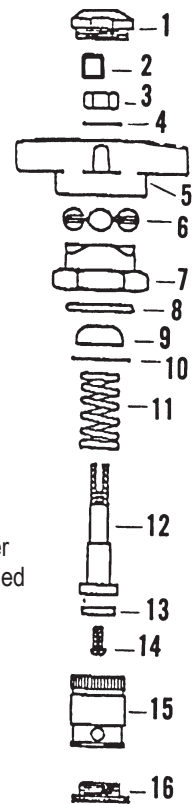
## WATER SAVER COMPRESSION VALVE

ITEM	PART #	DESCRIPTION
1	32760242	Packing nut
2	32760110	Body washer
3	32760120	Stem packing
4	32760100	Retainer washer
5	32760240	Stem friction ring
6	43761004	Valve stem - RH
	43761003	Valve stem - LH
7	40110119	Washer
8	50100009	Screw
9	32760236	Barrel - RH
	32760238	Barrel - LH
10	32760232	Renewable seat w/washer
1-10	40171039	Stem assy. - LH
	40171017	Stem assy. - RH



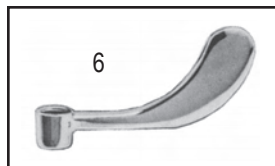
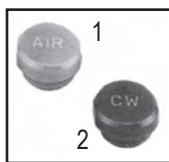
## WATER SAVER SELF-CLOSING VALVE

ITEM	PART #	DESCRIPTION
1	32760224	Index disc - hot
	32760226	Index disc - cold
2	32760270	Locking clip
3	32760272	Hex nut
4	32760258	Friction washer
5	32760228	Self-closing handle
6	32760266	Roller bearing assy.
7	32760264	Packing nut
8	32760110	Body washer
9	32760262	Stem packing
10	32760260	Retainer washer
11	32760268	Lifting spring
12	32760256	Valve stem
13	32760252	Stem washer
14	50100009	Screw
15	32760250	Barrel
16	32760232	Renewable seat w/washer
1-16	32760244	Self-closing valve - Tin lined
	32760246	Self-closing valve - PVC



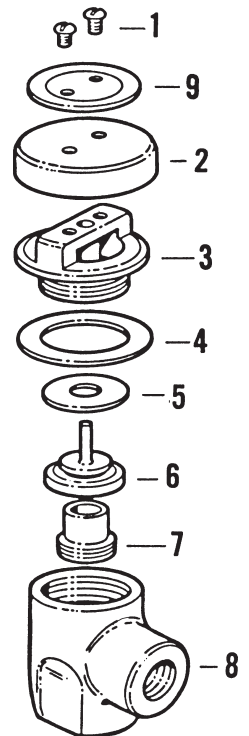
## WATER SAVER HANDLES

ITEM	PART #	DESCRIPTION
1	32760224	White plastic index disc - hot
	32760226	White plastic index disc - cold
2	32760140	Colored plastic index disc - hot
	32760160	Colored plastic index disc - cold
3	32760180	Four arm handle - chrome w/ square broach
4	32760212	Four arm handle - black plastic
5	NLA	Lever handle
6	32760214	Wrist handle - 4"
	32760216	Wrist handle - 6"



## WATER SAVER VACUUM BREAKER L-100 (3/8"), L-101 (1/2")

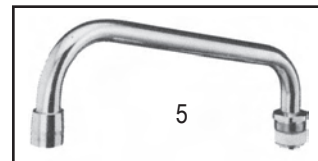
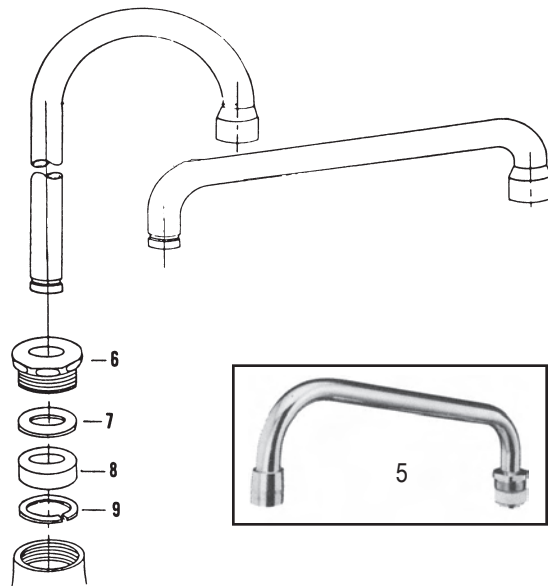
ITEM	PART #	DESCRIPTION
1	32760330	Cover screw
2	32760324	Vent cap cover
3	32760320	Vacuum breaker bonnet
4	40150159	Body gasket
5	NLA	Upper vent disc
6	40150158	Float cup
7	32760332	Seat
8		Body
9		Name plate



# FAUCET REPAIR

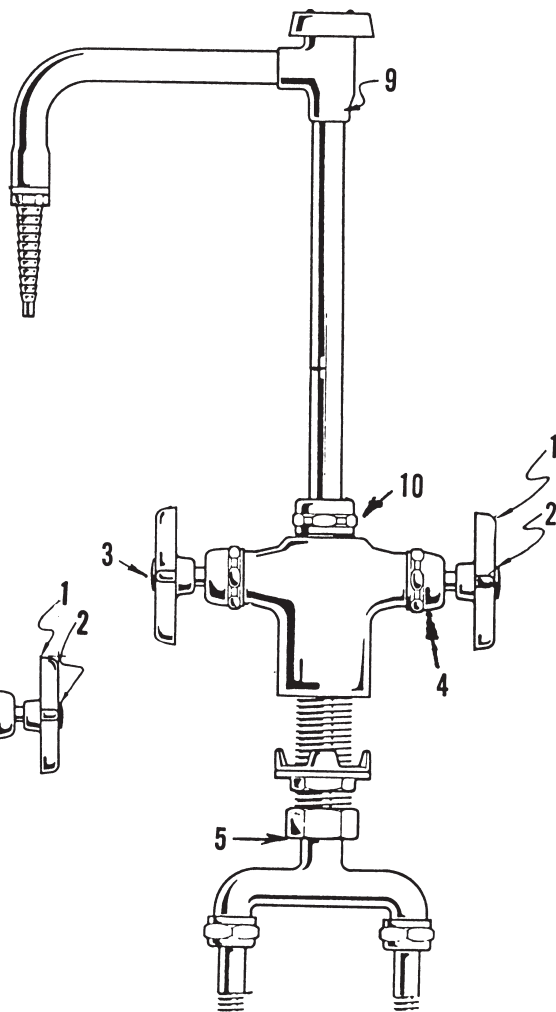
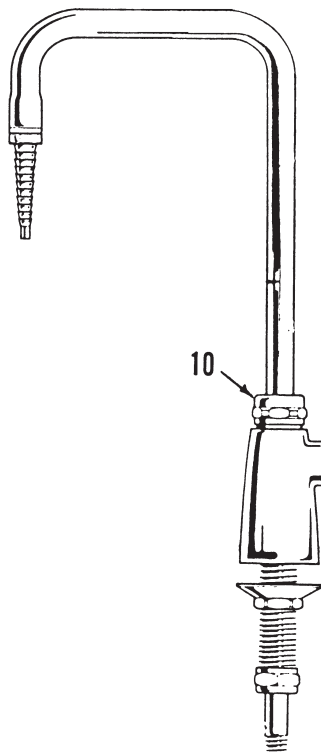
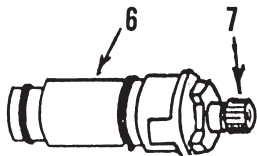
## WATER SAVER SPOUTS

ITEM	PART #	DESCRIPTION
1	32760300	Gooseneck spout - rigid
2	32760302	Gooseneck spout w/VB - rigid
3	32760304	Gooseneck spout - swing
4	32760306	Gooseneck spout w/VB - swing
5	32760308	9" Swing spout
6	32760126	Packing nut
7	32760128	Friction ring
8	32760130	Spout packing
9	32760132	Split lock ring



## ULTRA LAB DECK MOUNT SINGLE & DOUBLE LABORATORY FAUCETS

ITEM	PART #	DESCRIPTION
1	26780150	Cross handle
2	26780120	Cold index button
3	26780130	Hot index button
4	26780160	Bonnet nut
5	26780170	Yoke washer
6	26780100	Cartridge
7	26780110	Stem only - cold
	26780112	Stem only - hot
8	26780140	4" wrist handle
9	40110044	Vacuum breaker assy. - chrome
	40110049	V/B repair kit (not shown)
10	NLA	Spout nut



# FAUCET REPAIR

## SENSOR OPERATED FAUCETS



PART #	DESCRIPTION
45972032	.5 GPM VP aerator
40110166	2.0 GPM VP aerator
32990344	Filter attachment kit
32990346	Filter screen replacement kit
32990348	Sensor eyes w/ screws, Z-6901
32990350	Electronics module, Z-6901
32990352	Solenoid valve, Z-6901, Z-6903
32990354	Sensor eyes, electronics, cover plate, Z-6903
32990356	Solenoid valve, Z-6911, Z-6910
32990358	Electronics Z-6911, Z-6910
32990360	Battery drawer
32990362	Electronics module cover, battery operated units



ZURN Z-6901  
AC OPERATED



Z-6903-77  
AC OPERATED



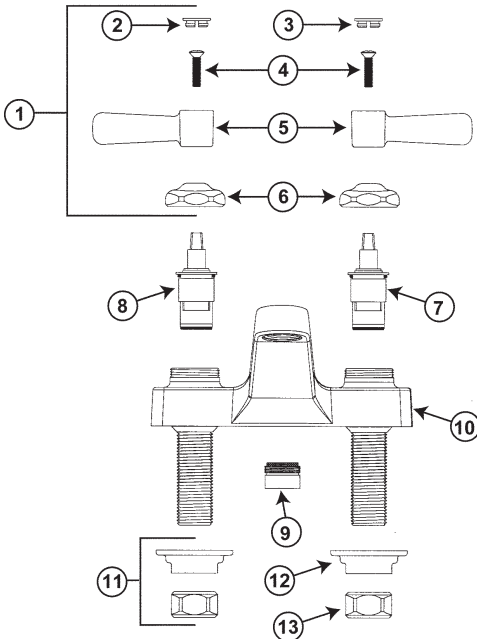
ZURN Z-6911  
BATTERY OPERATED



Z-6910 BATTERY  
OPERATED

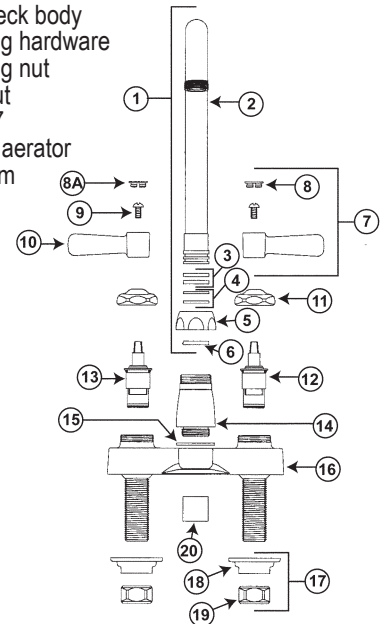
### ZURN Z-81101 4" CENTERSET FAUCET

ITEM	PART #	DESCRIPTION
1	32990100	VP brass lever handles
2	32990110	Hot index
3	32990120	Cold index
4	32990130	10/32 screw
5	32990140	Lever handle
6	32990150	Handle nut
7	40160036	Short cold cartridge
8	40160037	Short hot cartridge
9	40110124	13/16" - 27 male aerator - 2.0 gpm
10		4" Centerset body
11		Mounting hardware
12		Mounting nut
13		Riser nut



### ZURN Z-812A1 4" CENTERSET GOOSENECK

ITEM	PART #	DESCRIPTION
1		3-1/2" Centerline gooseneck 'A' spout assembly
2	32990160	3-1/2" Centerline gooseneck spout
3	32990180	Swing washers
4	32990190	O-Rings (qty. 2)
		Spout nut
6		Spacer washer
7	32990100	2.5" VP brass lever handles
8	32990120	Cold index
8A	32990110	Hot index
9	32990130	10/32 screw
10	32990140	Brass lever handle
11	32990150	Handle nut
12	40160036	Short cold cartridge
13	40160037	Short hot cartridge
14	32990170	Spout base
15	32990200	O-Ring (qty. 1)
16		4" Centerset gooseneck body
17		Mounting hardware
18		Mounting nut
19		Riser nut
20	40110125	3/4" - 27 Female aerator - 2.0 gpm



HOUSTON  
800/392-5066

ORLANDO  
800/327-3022

GREENVILLE  
800/476-2212

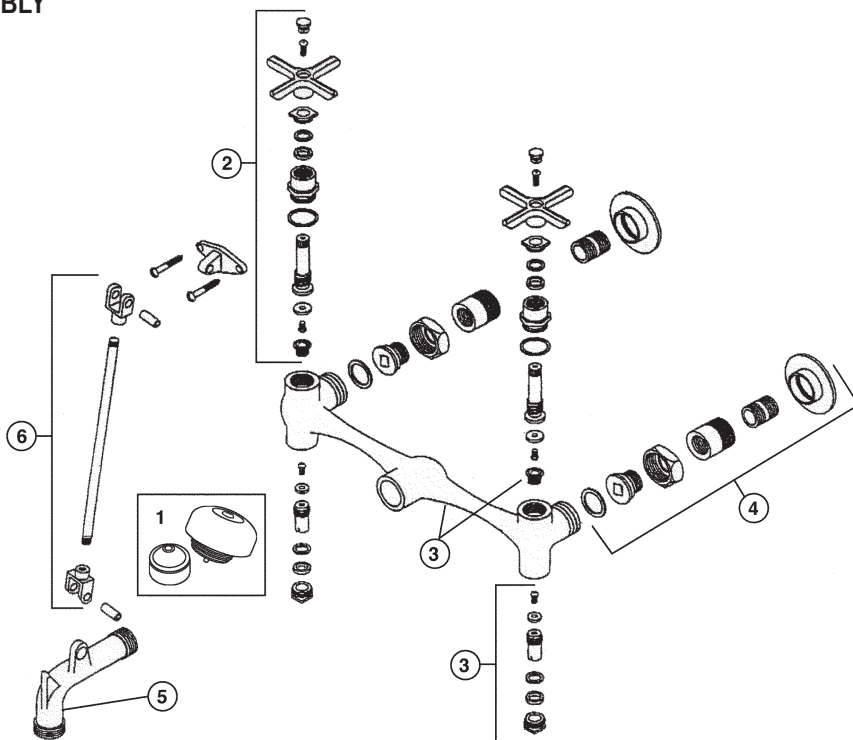
LOOK FOR US ON THE WEB AT: [www.TMSSouth.com](http://www.TMSSouth.com)



# FAUCET REPAIR

## ZURN Z-1996-SF MOP SINK FAUCET ASSEMBLY

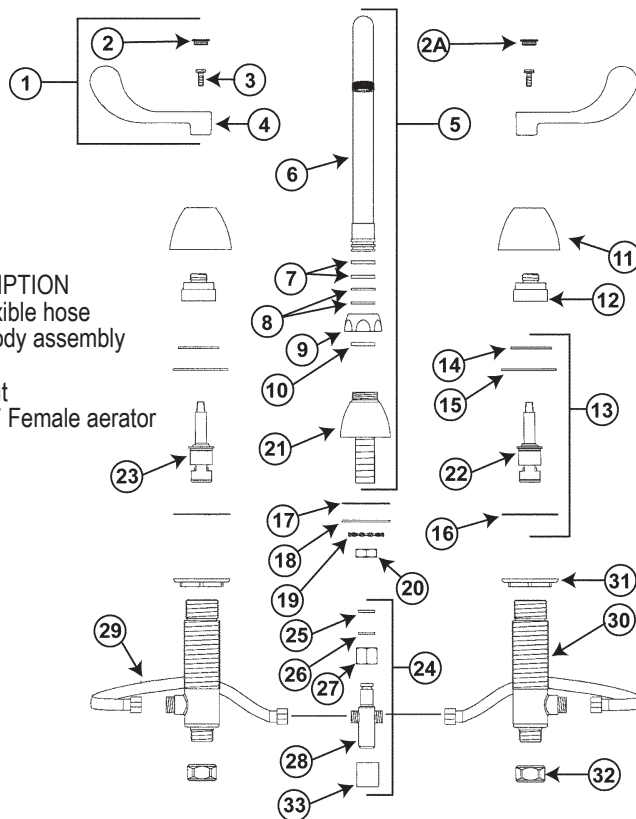
ITEM	PART #	DESCRIPTION
1	40300174	Vacuum breaker assembly
2	40291052	Handle assembly
3		Faucet body w/ seats
4		Connection assembly
5		Spout
6		Spout brace assembly



## ZURN Z-831A4 WIDESPREAD

ITEM	PART #	DESCRIPTION
1	32990210	VP brass wrist handles
2	32990110	Hot index
2A	32990120	Cold index
3	32990130	10/32 screw
4	32990220	4" Wrist blade handle
5		3-1/2" Gooseneck 'A' spout assembly
6	32990160	3-1/2" Centerline gooseneck spout
7	32990180	Swing washers
8	32990190	O-Rings
9	32990320	Spout nut
10		Spacer washer
11	32990230	Escutcheon
12	32990240	Cartridge cap
13		Mounting hardware
14	32990250	Retaining ring
15	32990260	Washer, brass
16	32990270	Washer, steel
17	32990290	Steel washer
18	32990300	Gasket
19		Toothed lockwasher
20		Mounting nut
21	32990310	Base
22	40160034	Long hot cartridge
23	40160033	Long cold cartridge
24		Tee assembly
25		Gasket
26	32990330	Retaining ring
27		Shank nut
28		Tee

ITEM	PART #	DESCRIPTION
29		S/S Flexible hose
30		Valve body assembly
31	32990280	Nut
32		Riser nut
33	40110125	3/4" - 27 Female aerator



**TOTAL  
MAINTENANCE  
SOLUTIONS**

**HOUSTON**  
800/392-5066

**ORLANDO**  
800/327-3022

**GREENVILLE**  
800/476-2212

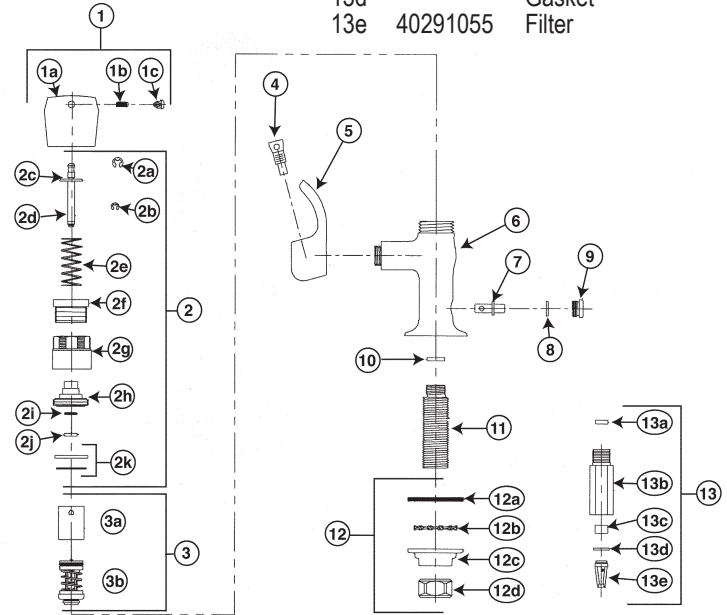
LOOK FOR US ON THE WEB AT: [www.TMSSouth.com](http://www.TMSSouth.com)

# FAUCET REPAIR

## ZURN Z83600 BUBBLER

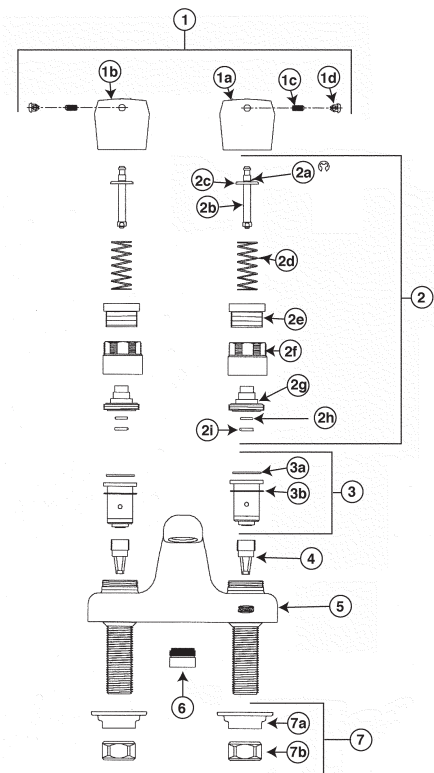
ITEM	PART #	DESCRIPTION
1	40291053	Metering handle assembly
1a		Metering handle
1b		Set screw
1c		Metering index buttons
		Hot index
		Cold index
		Tempered index
2	40291054	Handle nut assembly
2a		Retaining "E" ring
2b		Retaining "E" ring
2c		Spring seat
2d		Stem
2e		Return spring
2f		Adjustment nut
2g		Cap
2h		Stem housing
2i		O-ring
2j		O-ring retainer
2k		Cap sealing washer assy.
		Plastic ring
		O-ring
3	32992682	Poppet assembly w/ sleeve
3a		Valve sleeve
3b		Poppet
4		Bubbler adapter
5		Bubbler outlet
6		Body
7		Flow control
8		Gasket

ITEM	PART #	DESCRIPTION	ITEM	PART #	DESCRIPTION
9		Retainer nut	12c		Mounting nut
10		Gasket	12d		1/2" NPSM riser nut
11		Shank	13		Filter assy.
12		Mounting hardware	13a		Washer
12a		Gasket	13b		Housing
12b		Lock washer	13c		Flow control
			13d		Gasket
			13e	40291055	Filter



## Z86500 METERING FAUCET

ITEM	PART #	DESCRIPTION
1	40291056	Dual metering handle assembly
1a		Cold metering handle
1b		Hot metering handle
1c		Setscrew
1d		Metering index buttons – H, C
		Hot index
		Cold index
2	40291054	Handle nut assembly
2a		E-ring
2b		Stem
2c		Spring seat
2d		Spring
2e		Adjustment nut
2f		Cap
2g		Stem housing
2h		O-ring
2i		O-ring retainer
3	32990235	Metering cartridge assy.
3a		O-ring
3b		Washer
4	40291057	Integral shank filter
5		4" centerset body
6		13/16"-27 male spray outlet, .25 GPC
7		Mounting hardware
7a		Mounting nut
7b		1/2" NPSM riser nut



**TOTAL  
MAINTENANCE  
SOLUTIONS**

**HOUSTON**  
800/392-5066

**ORLANDO**  
800/327-3022

**GREENVILLE**  
800/476-2212

LOOK FOR US ON THE WEB AT: [www.TMSSouth.com](http://www.TMSSouth.com)